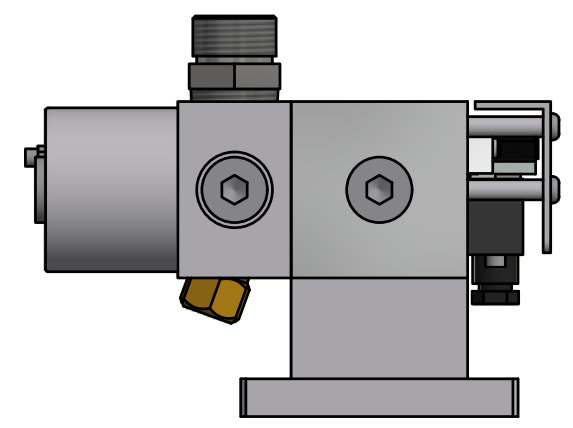
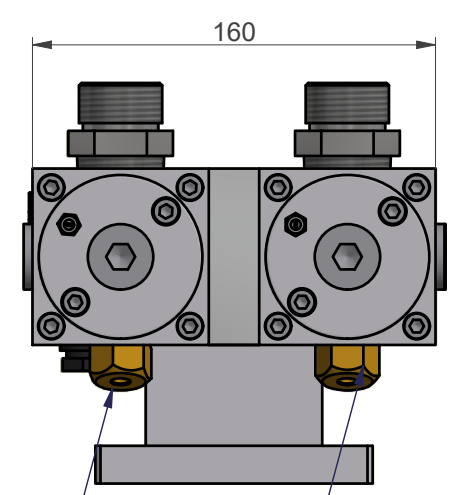


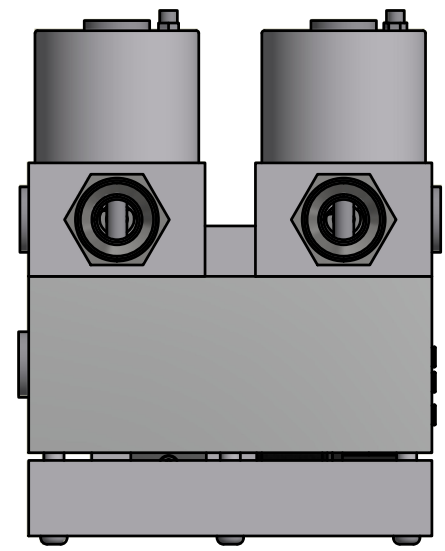
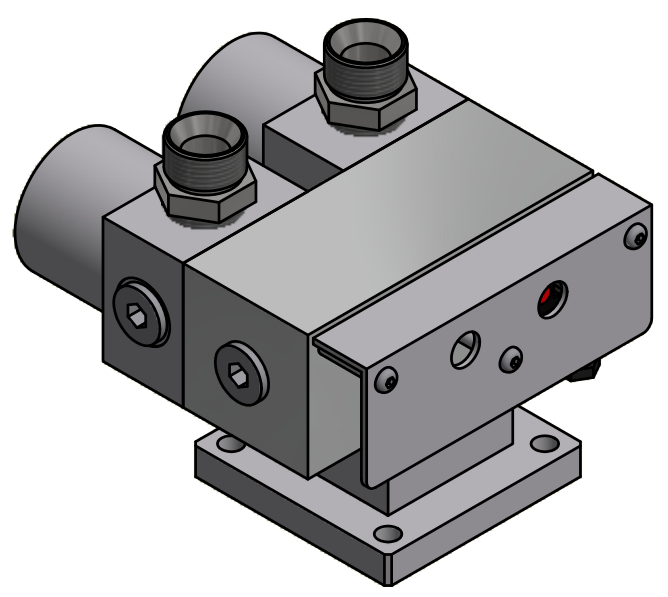
MANUAL PILOT AIR COMMAND
USE FLAT SCREWDRIVER (AIR NEED)



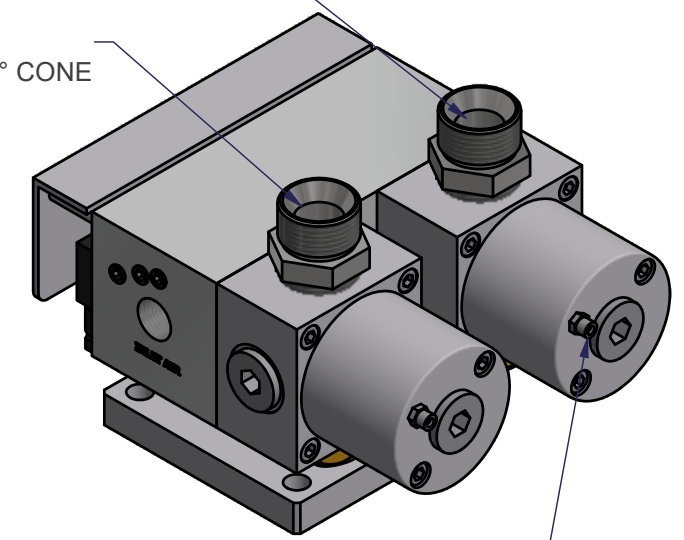
AIR-OUT DRAIN VALVE



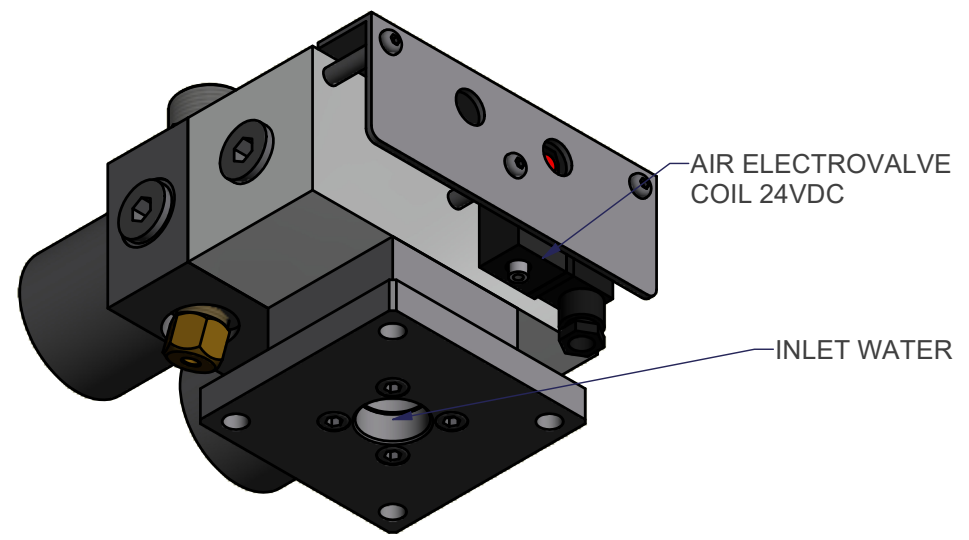
WATER-OUT DRAIN VALVE



WATER EXIT
1" BSP 60° CONE
AIR EXIT
1" BSP 60° CONE



SPEED ADJUST



AIR ELECTROVALVE
COIL 24VDC

INLET WATER

VALVE T3221D-EP-PL25 WITH ELECTROPNEUMATIC COMMAND

DEDICATED TO STICK SNOW GUN
MAXIMUM WATER PRESSURE 100 BAR 1400PSI
MINIMUM AIR PRESSURE TO PILOT VALVE 3 BAR 40 PSI
LIGHT WEIGHT 7 KG

A TERMINE DI LEGGE CI RISERVIAMO LA PROPRIETA' DI QUESTO DISEGNO CON DIVIETO DI RIPRODURLO O DI RENDERLO NOTO A TERZI O A DITTE CONCORRENTI SENZA NOSTRA AUTORIZZAZIONE SCRITTA.

TONINI FABIO ELETTROMECCANICA www.toniniluigi.it	Date 10/01/2025	Drawer FT	Approved	Size A3
	Description VALVE WATER+AIR WITH ELECTROPNEUMATIC COMMANDS			
	N° Part/ Drawing Valvola T3221D-EP-PL25			sheet 1 / 3